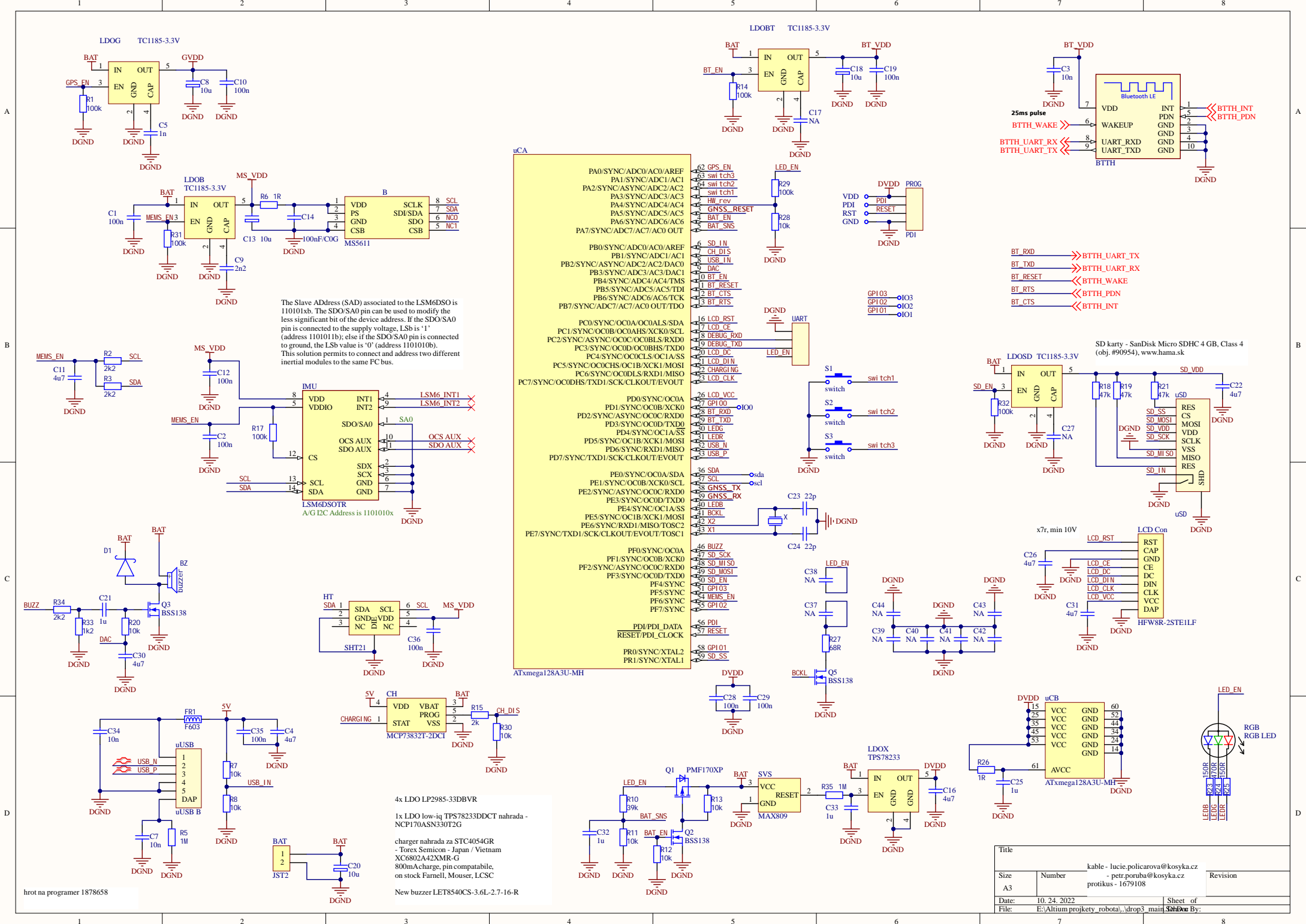


Title		
Size	Number	Revision
A4		
Date:	10.24.2022	Sheet of
File:	E:\Altium projekt_y_robota\...GNSS.SchDoc Drawn By:	



The Slave Address (SAD) associated to the LSM6DSO is 110101b. The SDO/SA0 pin can be used to modify the less significant bit of the device address. If the SDO/SA0 pin is connected to the supply voltage, LSB is '1' (address 110101b); else if the SDO/SA0 pin is connected to ground, the LSB value is '0' (address 1101010b). This solution permits to connect and address two different inertial modules to the same PC bus.

LSM6DSOTR
A/G I2C Address is 1101010x

uCA

PA0/SYNC/ADC0/AREF
PA1/SYNC/ADC1/AC1
PA2/SYNC/ADC2/AC2
PA3/SYNC/ADC3/AC3
PA4/SYNC/ADC4/AC4
PA5/SYNC/ADC5/AC5
PA6/SYNC/ADC6/AC6
PA7/SYNC/ADC7/AC7/ACO OUT

PB0/SYNC/ADC0/AREF
PB1/SYNC/ADC1/AC1
PB2/SYNC/ADC2/AC2/DAC0
PB3/SYNC/ADC3/AC3/DAC1
PB4/SYNC/ADC4/AC4/TMS
PB5/SYNC/ADC5/AC5/TDI
PB6/SYNC/ADC6/AC6/TCK
PB7/SYNC/ADC7/AC7/ACO OUT/TDO

PC0/SYNC/OC0A/OC0ALS/SDA
PC1/SYNC/OC0B/OC0AHS/XCK0/SCL
PC2/SYNC/ASYNCOIC/OC0BLS/RXD0
PC3/SYNC/OC0D/OC0BHS/TXD0
PC4/SYNC/OC0CL/OC1A/SS
PC5/SYNCOCHS/OC1B/XCK1/MOSI
PC6/SYNCOCLD/RXD1/MISO
PC7/SYNCOCHS/TXD1/SCK/CLKOUT/EVOUT

PD0/SYNC/OC0A
PD1/SYNCOB/XCK0
PD2/SYNCOIC/OC0C/RXD0
PD3/SYNCOCD/TXD0
PD4/SYNCOA/SS
PD5/SYNCOB/XCK1/MOSI
PD6/SYNCRXD1/MISO
PD7/SYNCTXD1/SCK/CLKOUT/EVOUT

PE0/SYNCOA/SDA
PE1/SYNCOB/XCK0/SCL
PE2/SYNCOIC/OC0C/RXD0
PE3/SYNCOCD/TXD0
PE4/SYNCOA/SS
PE5/SYNCOB/XCK1/MOSI
PE6/SYNCRXD1/MISO/TOSC2
PE7/SYNCTXD1/SCK/CLKOUT/EVOUT/TOSC1

PF0/SYNCOA
PF1/SYNCOB/XCK0
PF2/SYNCOIC/OC0C/RXD0
PF3/SYNCOCD/TXD0
PF4/SYNCOA/SS
PF5/SYNCOB/XCK1/MOSI
PF6/SYNCRXD1/MISO
PF7/SYNCTXD1/SCK/CLKOUT/EVOUT/TOSC1

PDI/PDL_DATA
RESET/PDI_CLOCK

PRO/SYNCTXAL2
PRI/SYNCTXAL1

ATxmega128A3U-MH

Title		
Size	kable - lucie.policarova@kosyka.cz	Revision
Number	A3	protikus - 1679108
Date:	10. 24. 2022	Sheet of
File:	E:\Altiumprojekty_robotal_\dtop3_main	Sheet of
		By:

hrot na programer 1878658

4x LDO LP2985-33DBVR
1x LDO low-ig TPS7823DDCT nahrada - NCP170ASN330T2G
charger nahrada za STC4054GR - Torex Semicon - Japan / Vietnam XC6802A42XMR-G 800mA charge, pin compatible, on stock Farnell, Mouser, LCSC
New buzzer LET8540CS-3.6L-2.7-16-R