

Bluetooth Baseband LSI
Panasonic PAN1026
Toshiba TC35661

Bluetooth Management
Message Sequence Chart

June.2013

PANASONIC Bluetooth Module PAN1026 TC35661-ROM501 MSC(MNG)

000630EBA1-000809TS

- PANASONIC is continually working to improve the quality and reliability of its products. Nevertheless, semiconductor devices in general can malfunction or fail due to their inherent electrical sensitivity and vulnerability to physical stress. It is the responsibility of the buyer, when utilizing PANASONIC products, to comply with the standards of safety in making a safe design for the entire system, and to avoid situations in which a malfunction or failure of such PANASONIC products could cause loss of human life, bodily injury or damage to property.
In developing your designs, please ensure that PANASONIC products are used within specified operating ranges as set forth in the most recent PANASONIC products specifications.
- The PANASONIC products listed in this document are intended for usage in general electronics applications (computer, personal equipment, office equipment, measuring equipment, industrial robotics, domestic appliances, etc.). These PANASONIC products are neither intended nor warranted for usage in equipment that requires extraordinarily high quality and/or reliability or a malfunction or failure of which may cause loss of human life or bodily injury ("Unintended Usage"). Unintended Usage include atomic energy control instruments, airplane or spaceship instruments, transportation instruments, traffic signal instruments, combustion control instruments, medical instruments, all types of safety devices, etc.. Unintended Usage of PANASONIC products listed in this document shall be made at the customer's own risk.
- The products described in this document are subject to the foreign exchange and foreign trade laws.
- The information contained herein is presented only as a guide for the applications of our products. No responsibility is assumed by PANASONIC CORPORATION for any infringements of intellectual property or other rights of the third parties which may result from its use. No license is granted by implication or otherwise under any intellectual property or other rights of PANASONIC CORPORATION or others.
- The information contained herein is subject to change without notice.
- The information contained herein is presented only as a guide for the product operation, its functions, and applications. We request that the operation of any application system incorporating this product is fully tested by system vendor.

PANASONIC Bluetooth Module PAN1026 TC35661-ROM501 MSC(MNG)

Revision History

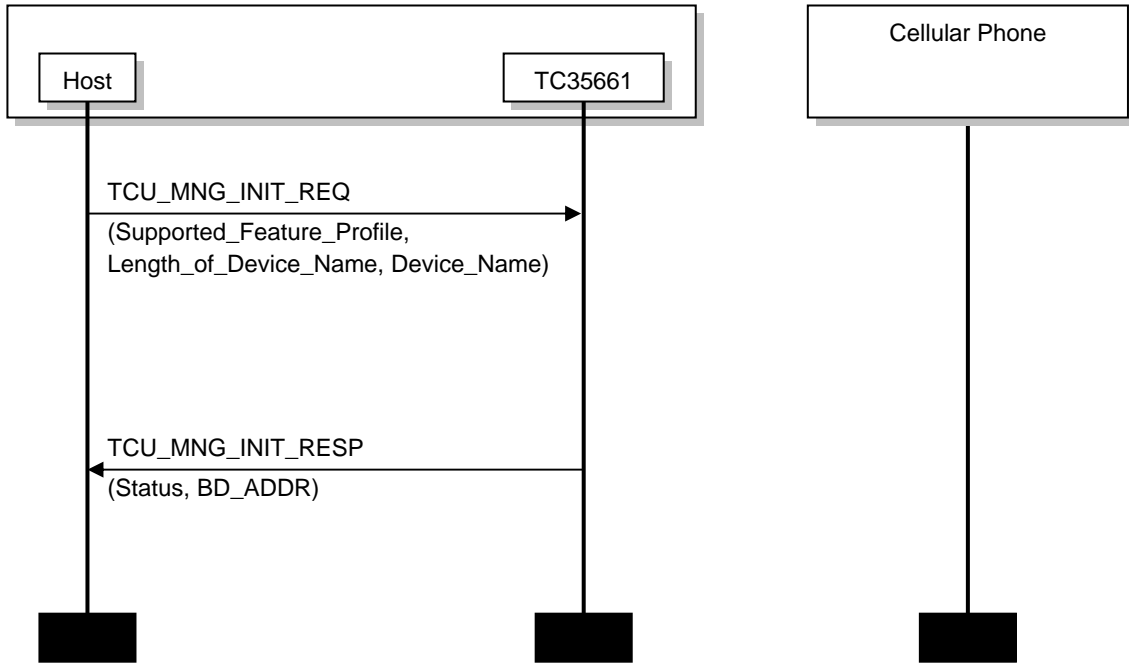
Date	Modification	Note
24th-June-2013	1st Release Based on TC35661APL_ROM203_210_MNG_MSC_E_14thJune2013	

CONTENT

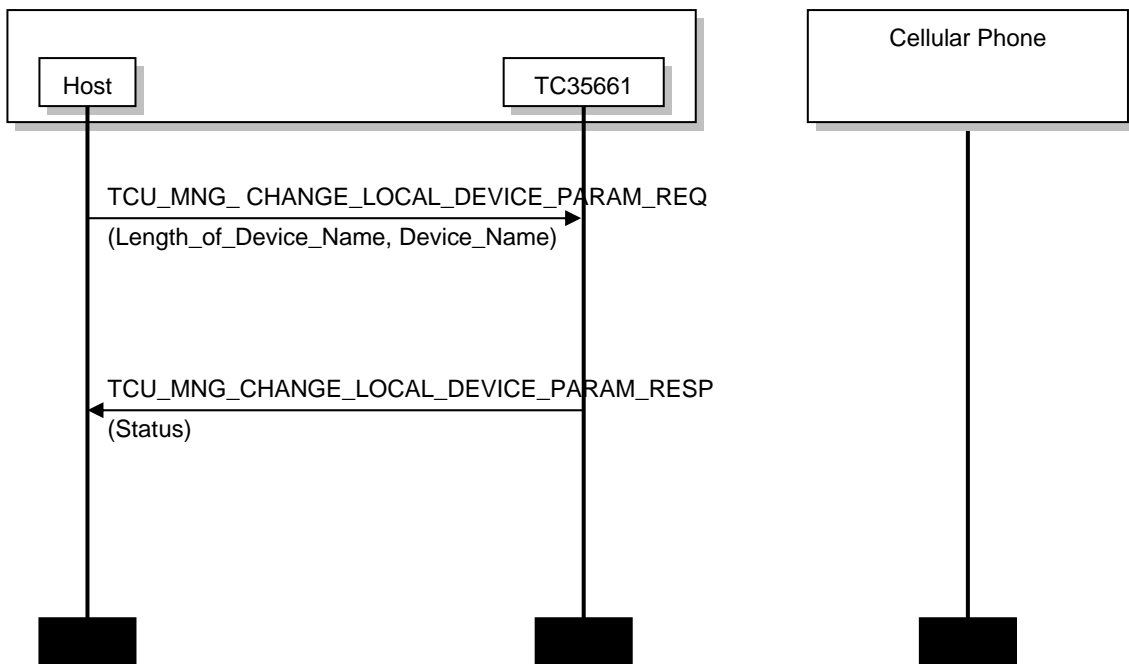
1.	Bluetooth Management MSC	5
1.1	Device Initialization	5
1.2	Device Information Setting	5
1.3	Inquiry	6
1.3.1	Without Inquiry Filter Setting	6
1.4	Inquiry Cancel	7
1.5	Service Search	8
1.5.1	Security Mode 2	8
1.6	Service Search Cancel	9
1.7	Connection Accept	10
1.8	Reject Connection	11
1.9	Scan mode	12
1.10	RSSI Information	12
1.11	Connection Cancel	13
1.11.1	Before ACL Establishment	13
1.11.2	After ACL connection	14
1.12	Update Link Key	15
1.12.1	From Remote device after ACL establishment	15
1.13	Sniff mode	16
1.13.1	Change sniff mode from Host	16
1.13.2	Change sniff mode from remote device	17
1.14	Deep sleep mode	18
1.14.1	Control Deep sleep mode	18

1. Bluetooth Management MSC

1.1 Device Initialization



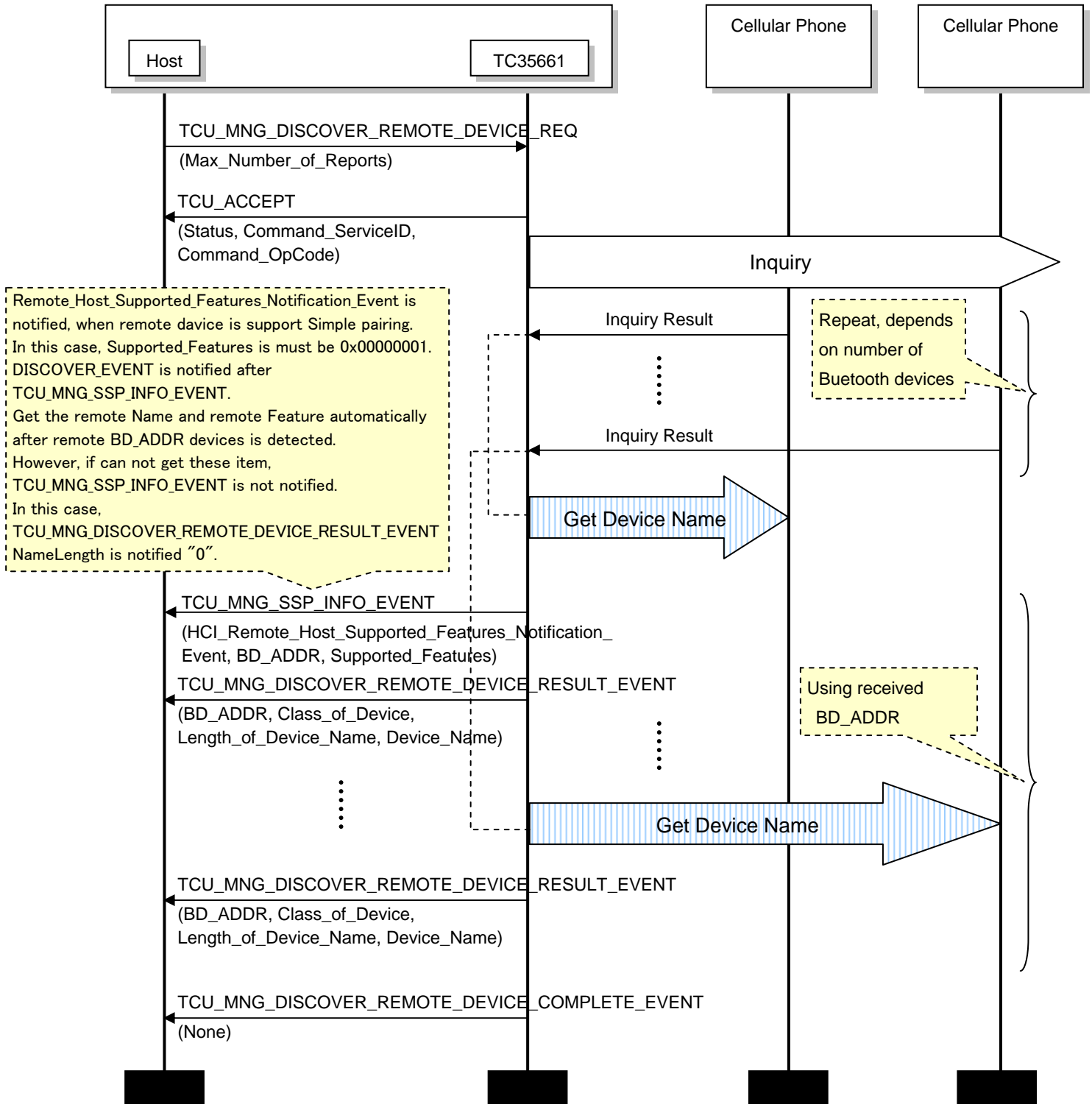
1.2 Device Information Setting



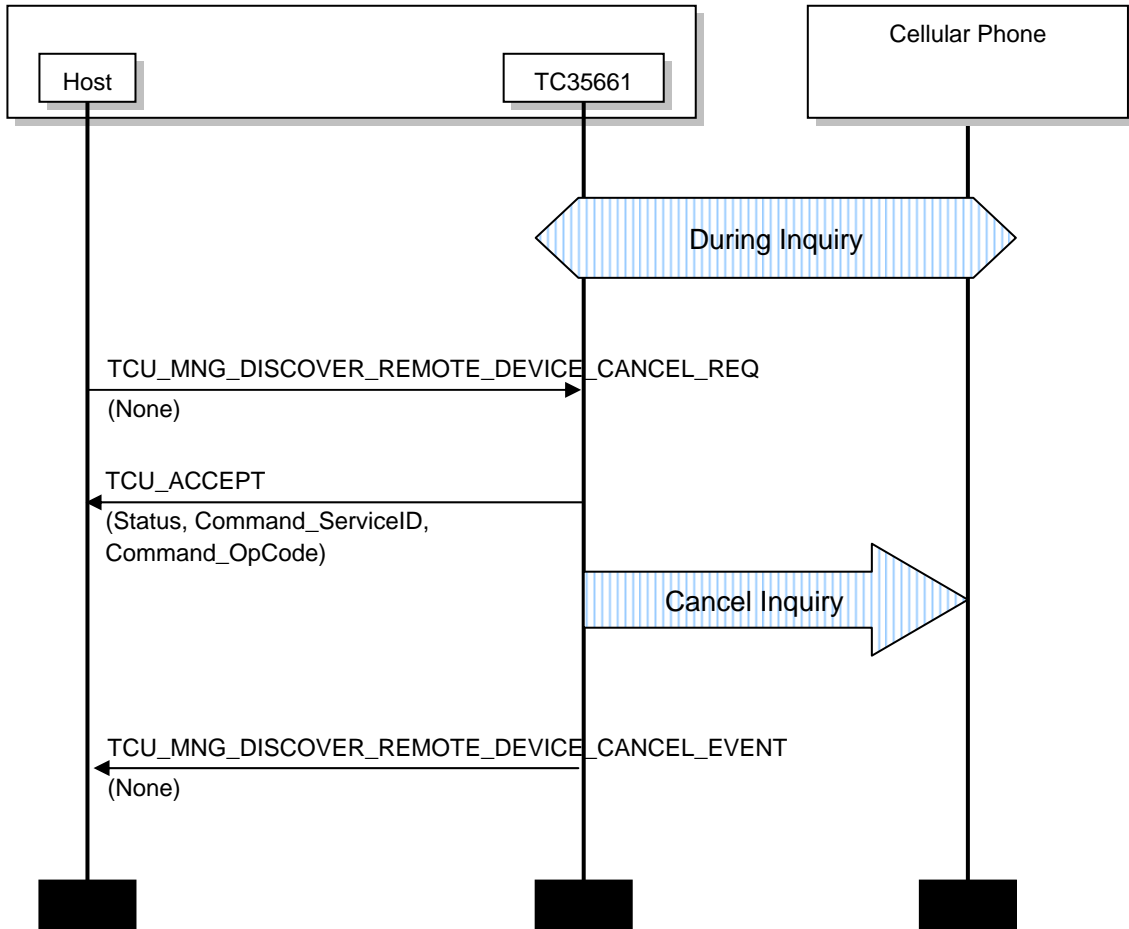
PANASONIC Bluetooth Module PAN1026 TC35661-ROM501 MSC(MNG)

1.3 Inquiry

1.3.1 Without Inquiry Filter Setting



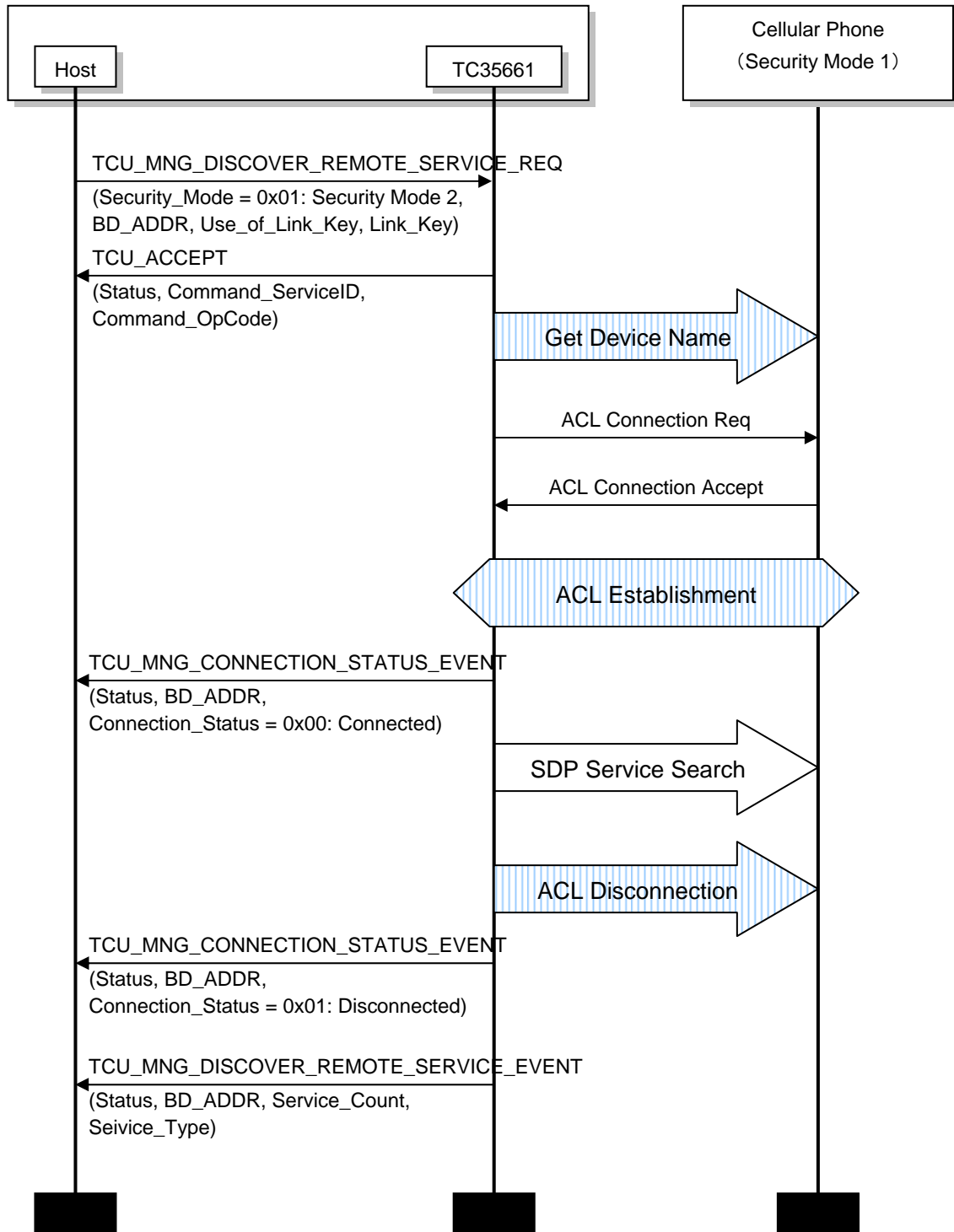
1.4 Inquiry Cancel



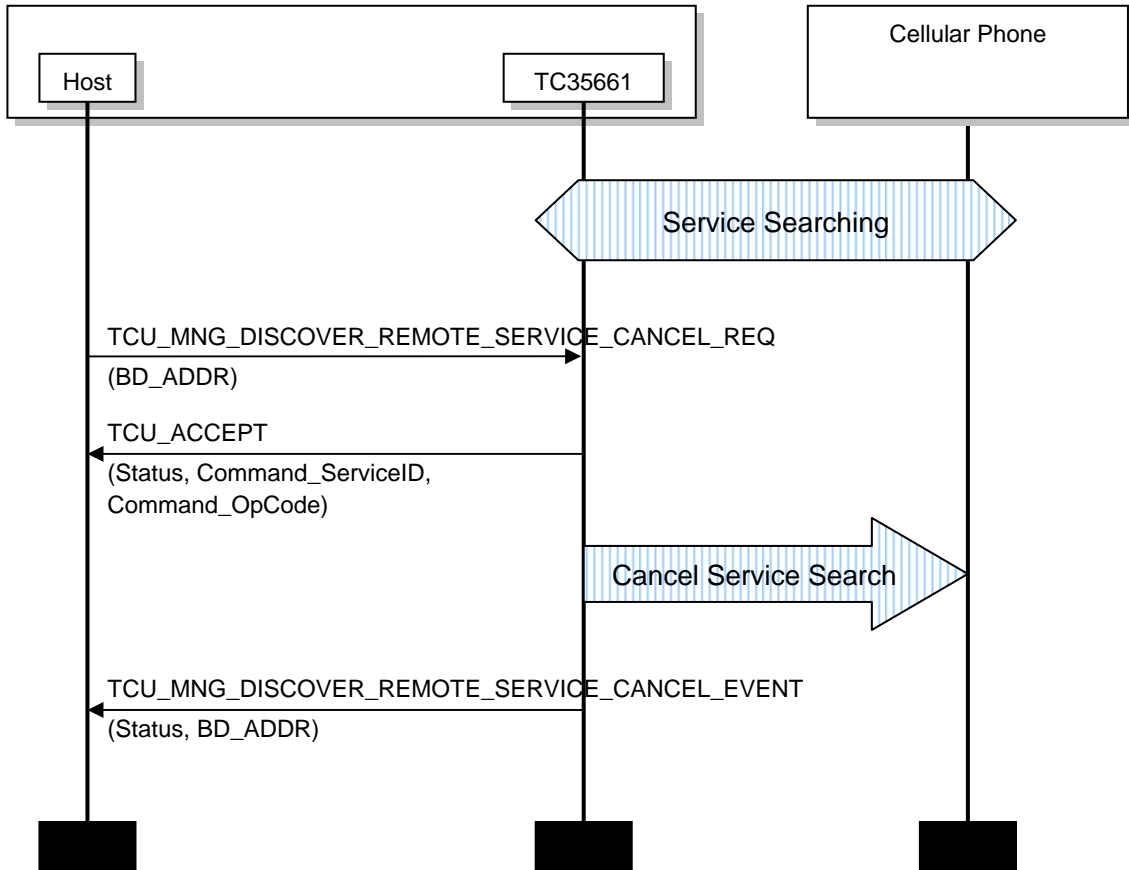
PANASONIC Bluetooth Module PAN1026 TC35661-ROM501 MSC(MNG)

1.5 Service Search

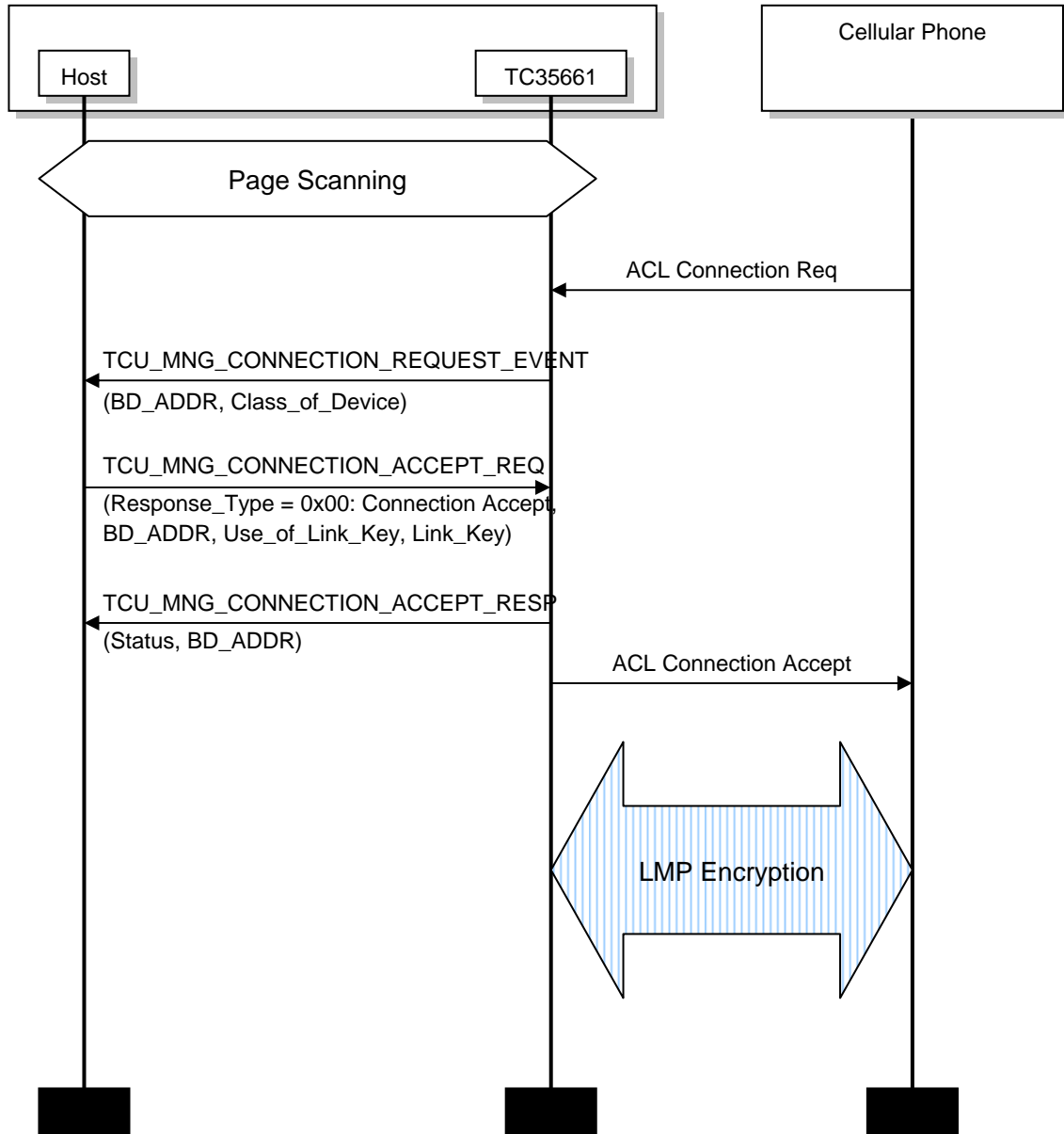
1.5.1 Security Mode 2



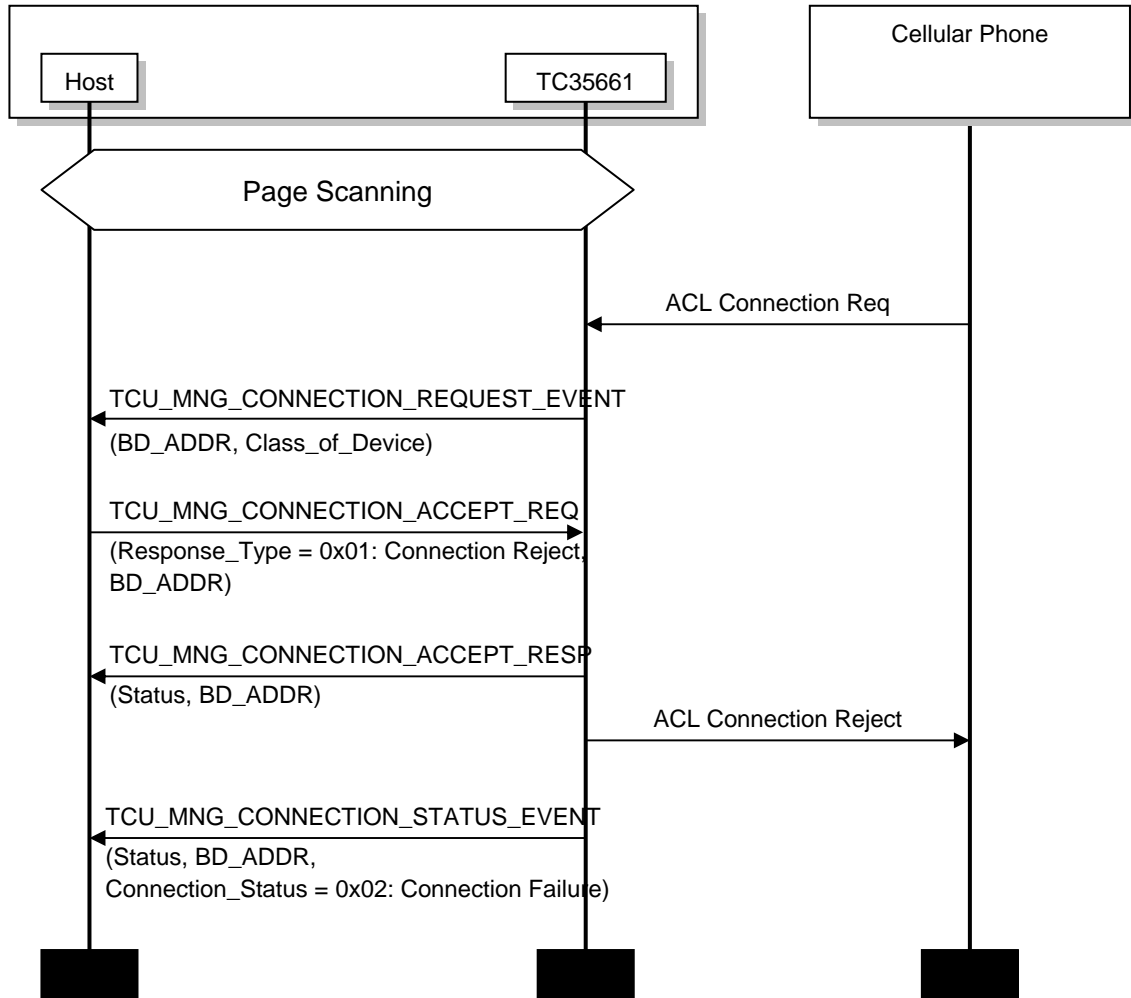
1.6 Service Search Cancel



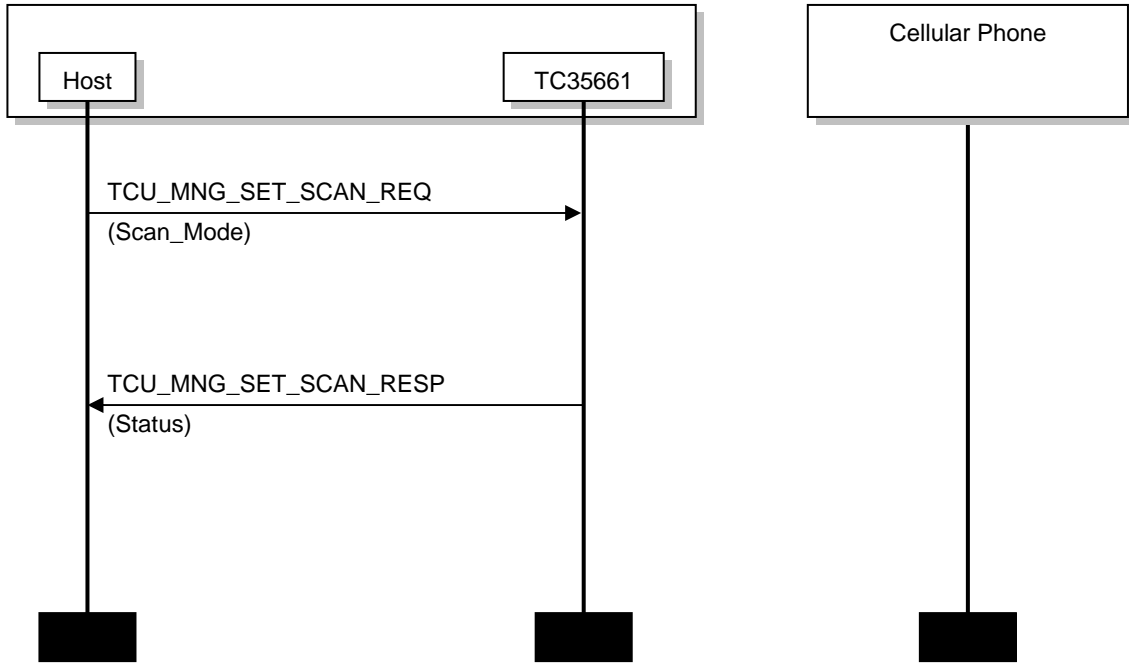
1.7 Connection Accept



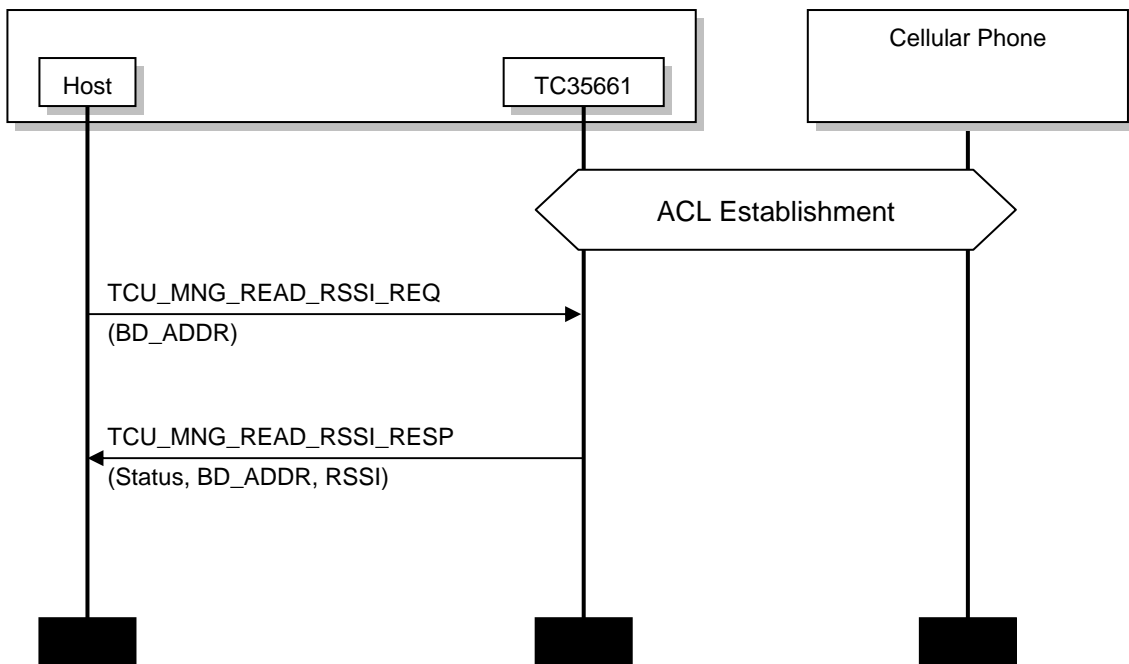
1.8 Reject Connection



1.9 Scan mode

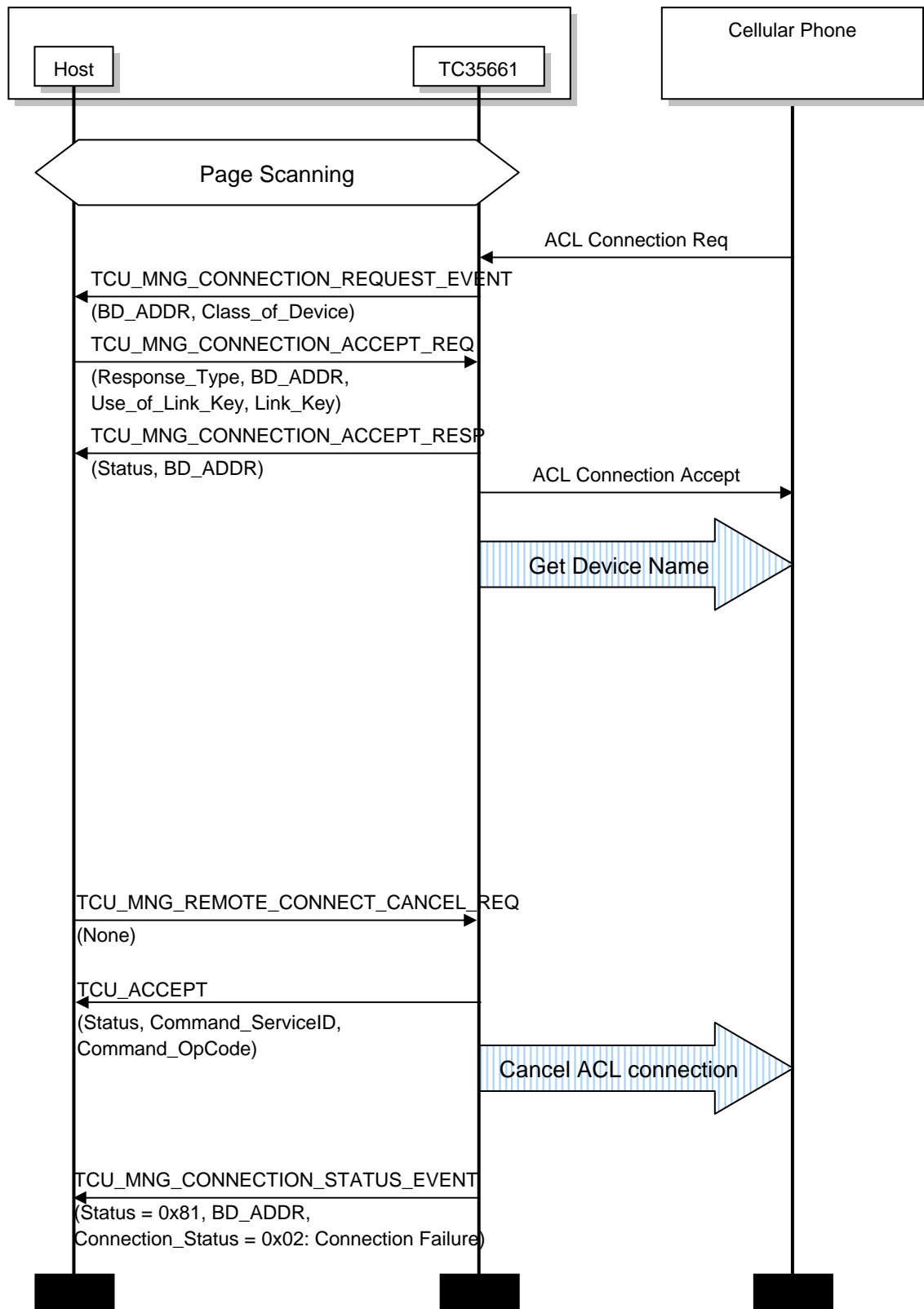


1.10 RSSI Information



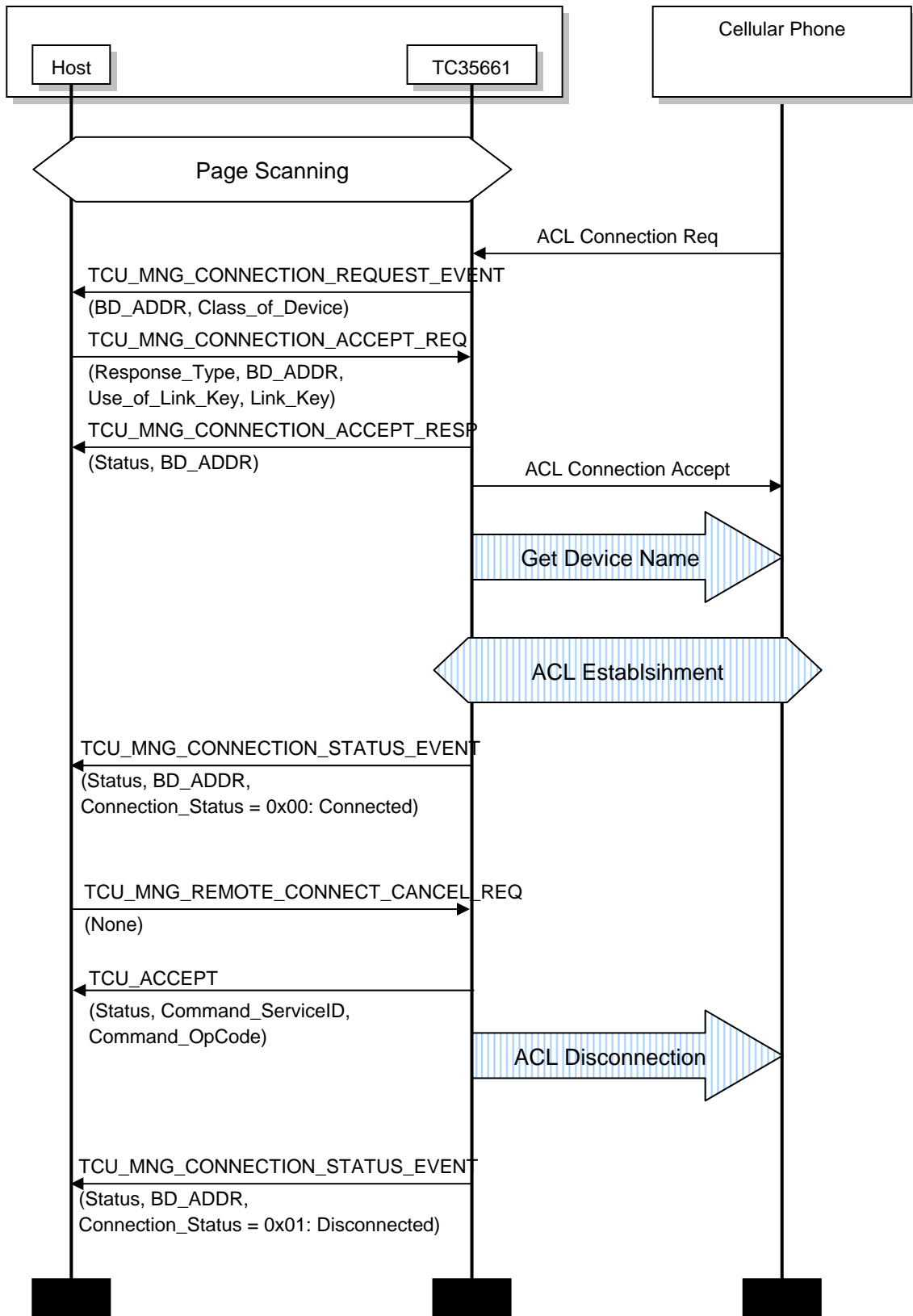
1.11 Connection Cancel

1.11.1 Before ACL Establishment



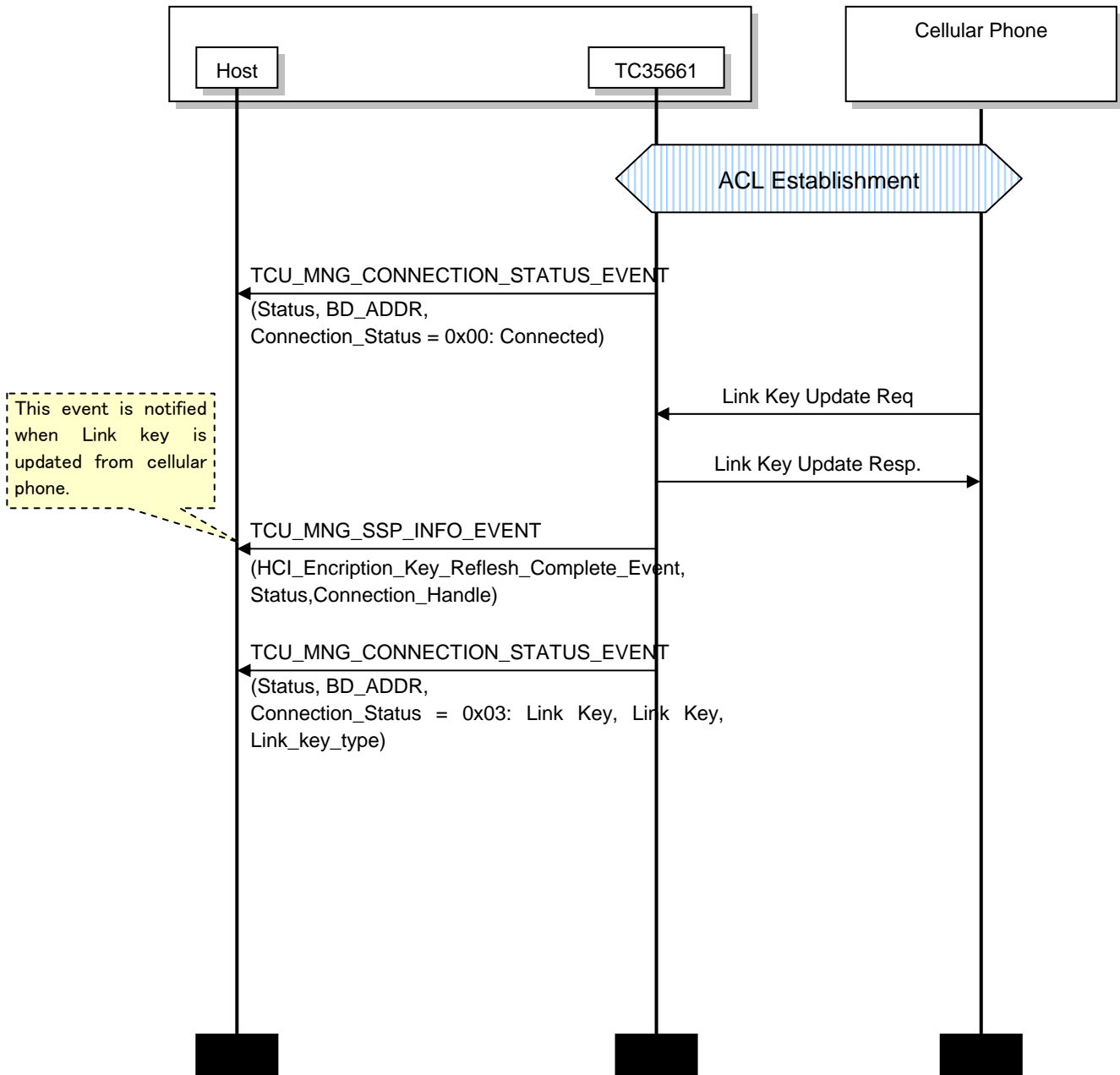
PANASONIC Bluetooth Module PAN1026 TC35661-ROM501 MSC(MNG)

1.11.2 After ACL connection



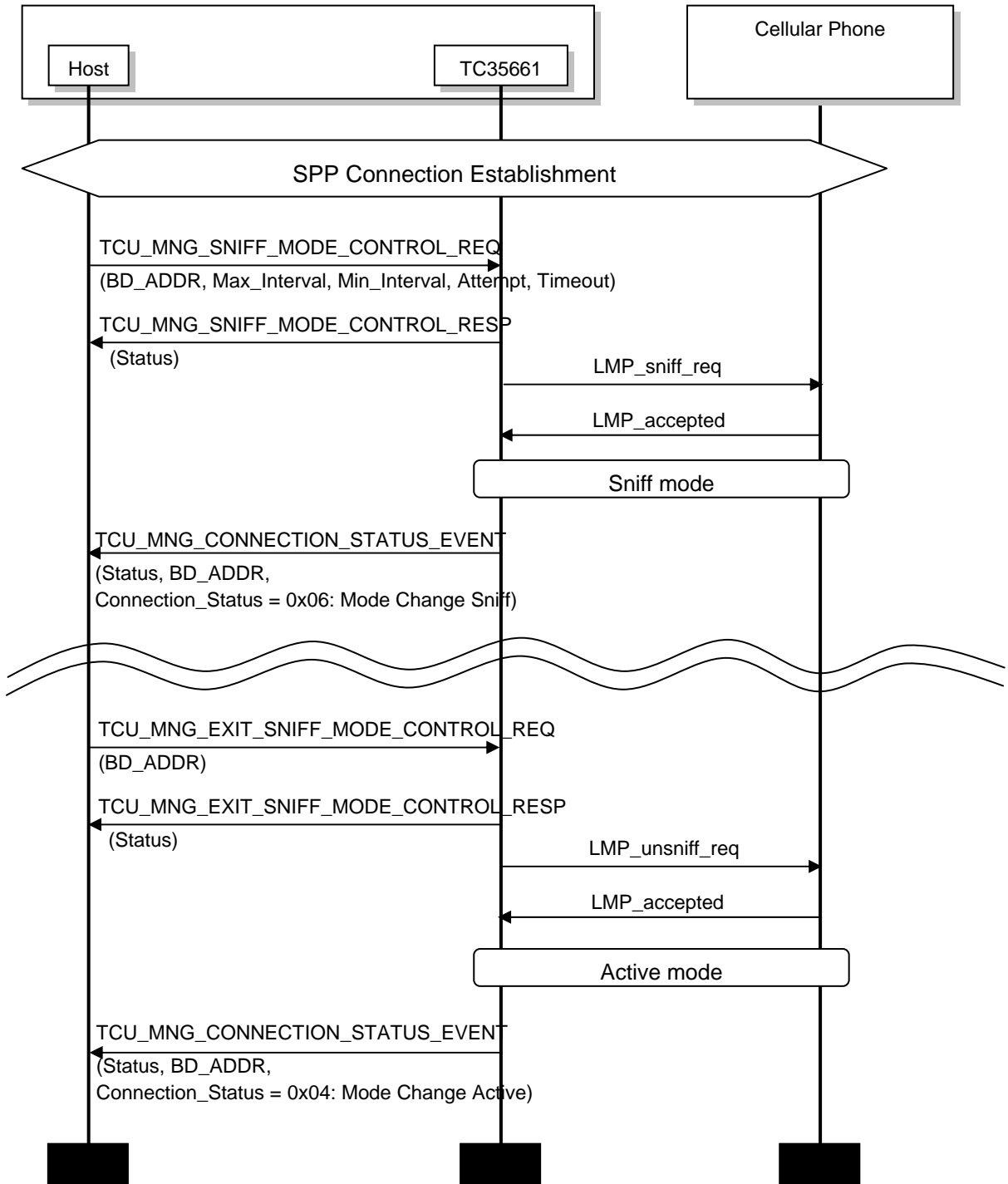
1.12 Update Link Key

1.12.1 From Remote device after ACL establishment



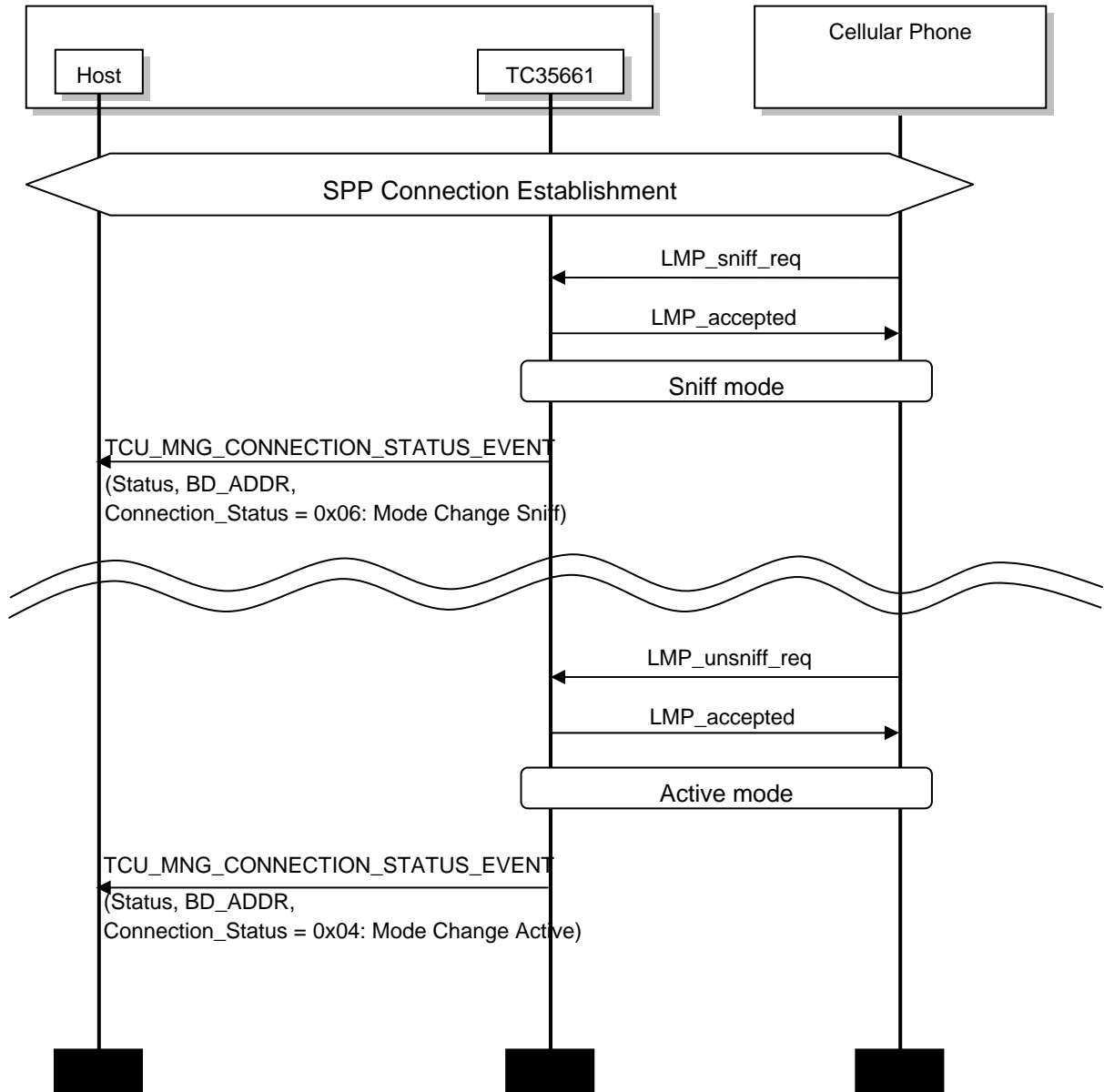
1.13 Sniff mode

1.13.1 Change sniff mode from Host



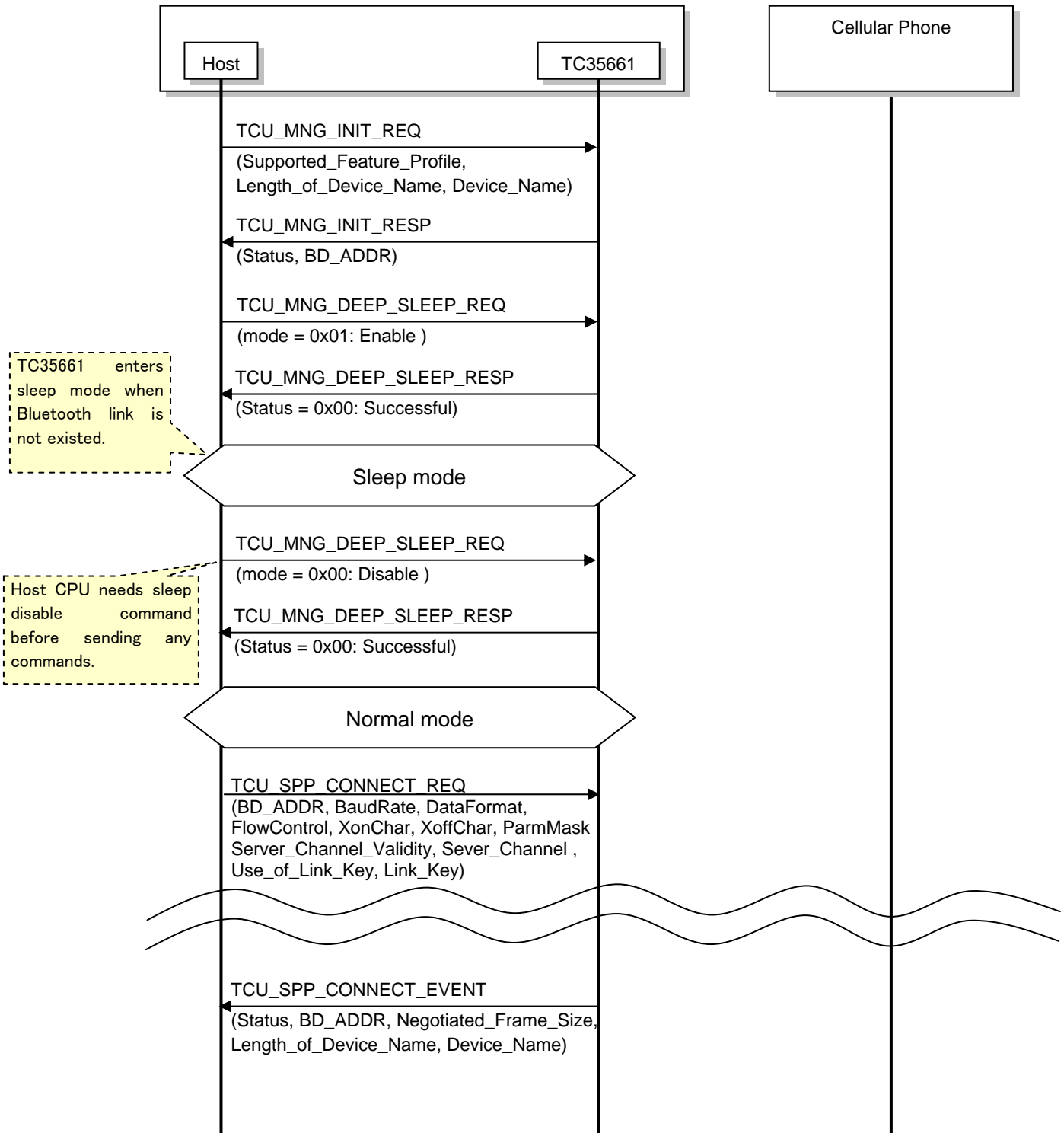
PANASONIC Bluetooth Module PAN1026 TC35661-ROM501 MSC(MNG)

1.13.2 Change sniff mode from remote device

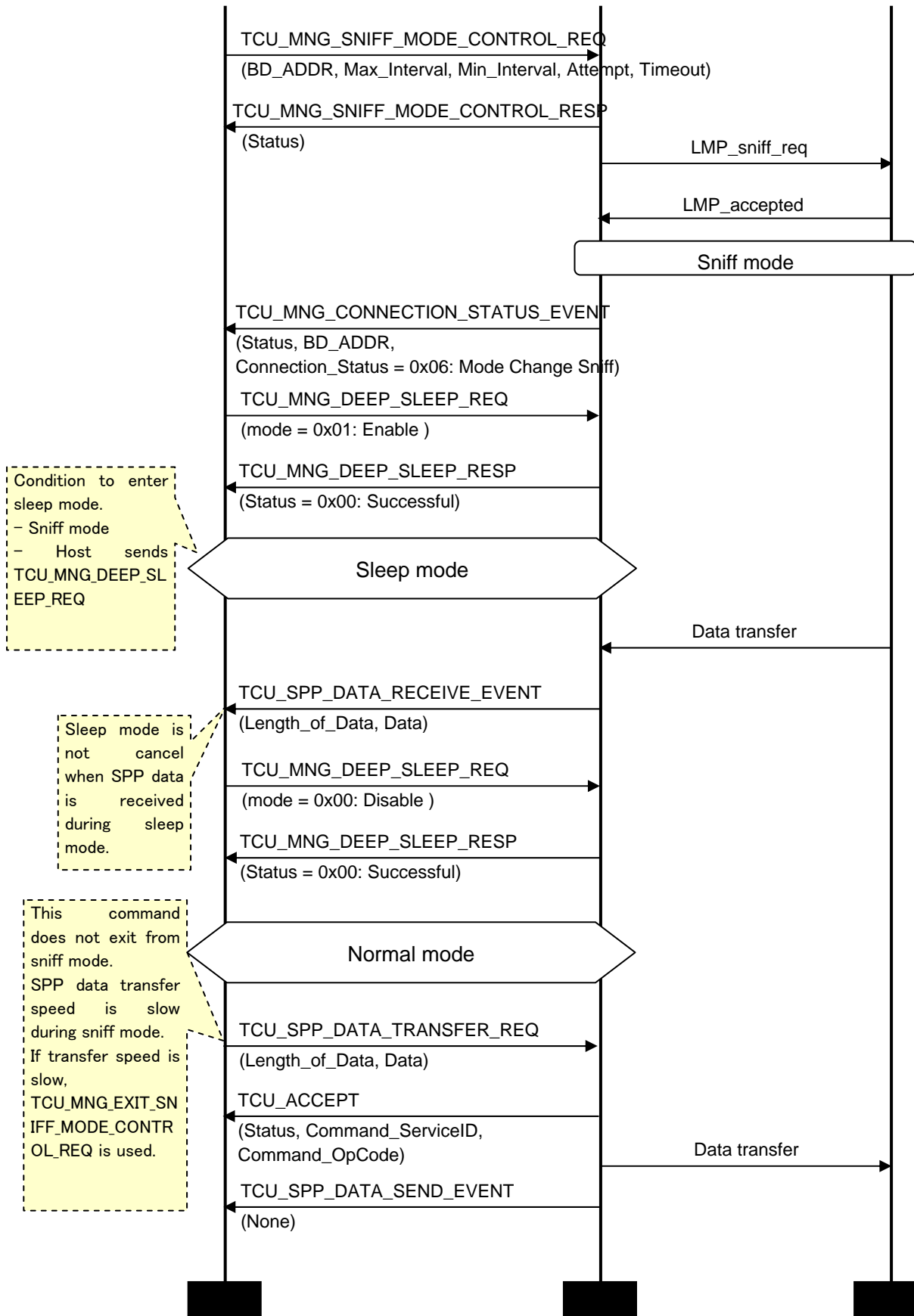


1.14 Deep sleep mode

1.14.1 Control Deep sleep mode



PANASONIC Bluetooth Module PAN1026 TC35661-ROM501 MSC(MNG)



PANASONIC Bluetooth Module PAN1026 TC35661-ROM501 MSC(MNG)

End of document